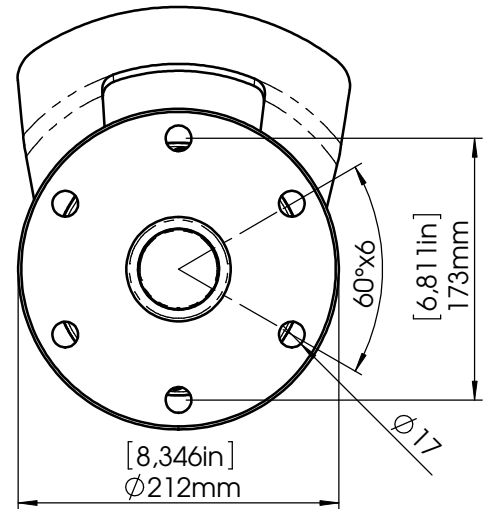
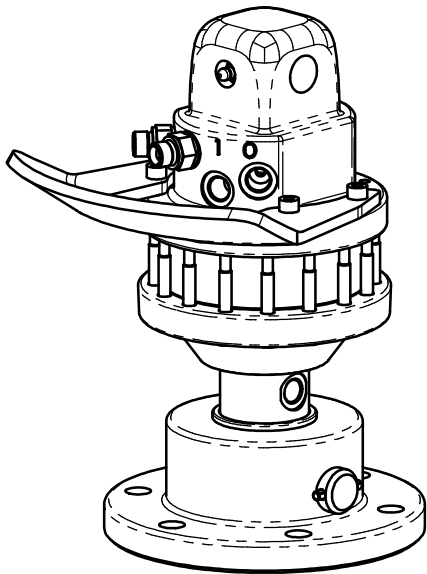
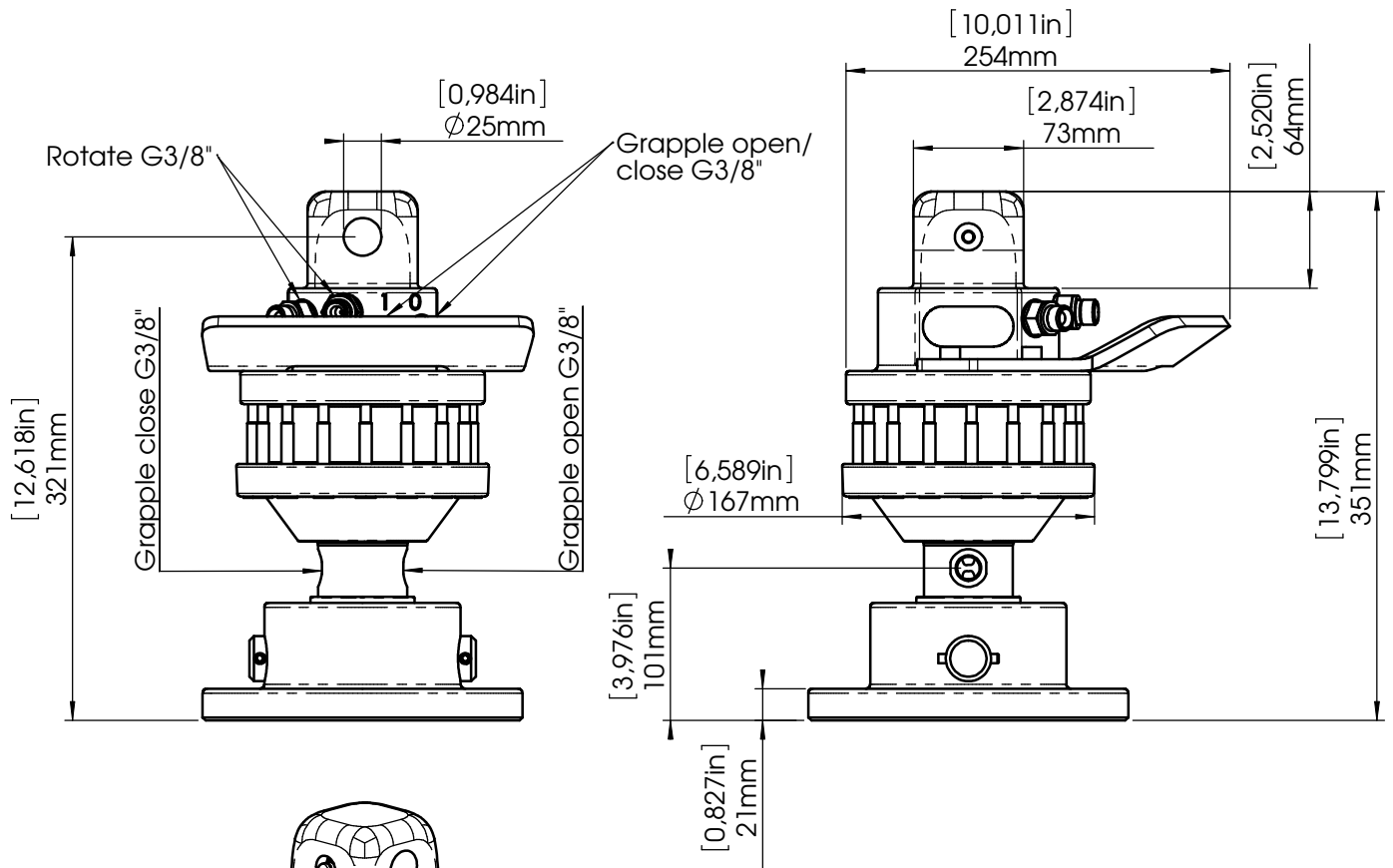
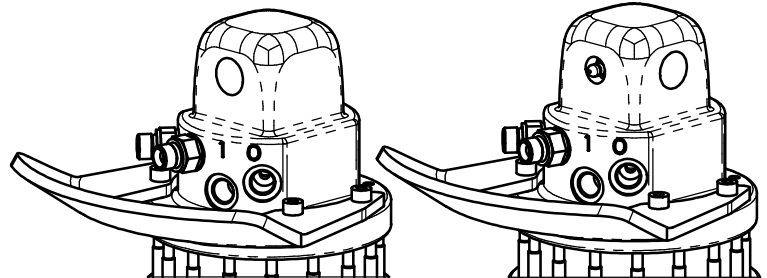


Rotator FR 10 B173



Direction W

Direction X



| FR 10 B173 | |
|-----------------------|---------------------|
| Rotation angle | Unlimited |
| Max. working pressure | 200 bar |
| Displacement | 420 cm ³ |
| Torque (200 bar) | 1000 Nm |
| Max. axial force | 60 kN |
| Safe working load | 4000 kg |
| Weight | 26 kg |

| Basic models | | | |
|--------------|---------------|-----------|--------|
| Item | Name | Direction | Flange |
| 11034 | FR 10-X25B173 | X | 173 |
| 11035 | FR 10-W25B173 | W | 173 |